



ZBA Inc.

**ZADM120-RL**  
**Magnetic Stripe Card Reader**  
**RS232 Interface**

**Programmer's Manual**

ZBA, Inc.  
94 Old Camplain Road Hillsborough, NJ 08844  
Ph: 908-359-2070 Fax: 908-595-0909  
Web: <http://www.zbausa.com/>

revision date: 12/22/09



ZBA Inc.

## NOTICE

The issuer of this manual has made every effort to provide accurate information contained in this manual. The issuer shall not be held liable for any technical and editorial omissions or errors made herein; nor for incidental consequential damages resulting from the furnishing, performance or use of this material.

This document contains proprietary information protected by copyright. All rights are reserved. No part of this document may be photocopied, reproduced, or translated without the prior written permission of the issuer. The information provided in this manual is subject to change without notice.

## AGENCY APPROVED

- Specification for FCC Class A
- Specification for UL/CUL
- Specification for CE Class A, CISPR 22 Class A
- Product Certificate by Taiwan BSMI (Bureau of Standards, Metrology and Inspection)

**NOTE:** This equipment has been tested and found to comply with the limits for a Class A digital device, pursuant to part 15 of the FCC Rules. These limits are designed to provide reasonable protection against harmful interference when the equipment is operated in a commercial environment. This equipment generates, uses, and can radiate radio frequency energy and, if not installed and used in accordance with the instruction manual, may cause harmful interference to radio communications. Operation of this equipment in a residential area is likely to cause harmful interference in which case the user will be required to correct the interference at his own expense.

You are cautioned that any change or modifications to the equipment not expressly approve by the party responsible for compliance could void your authority to operate such equipment.

ZBA, Inc.  
94 Old Camplain Road Hillsborough, NJ 08844  
Ph: 908-359-2070 Fax: 908-595-0909  
Web: <http://www.zbausa.com/>

revision date: 12/22/09



ZBA Inc.

#### **WARNING**

You are cautioned that changes or modifications not expressly approved by the party responsible for compliance could void your authority to operate the equipment.

#### **WARRANTY**

This product is served under one-year warranty of defects in material and functionality to the original purchasers. Within the warranty period, if the product found to be defective will be repaired or replaced. This warranty applies to the products only under the normal use of the original purchasers, and in no circumstances covers incidental or consequential damages through consumers misuse or modification of the product.

#### **PREFACE**

This manual provides detailed information relating to the overall operational, electrical, mechanical, environmental and functional aspects of the ZADM120-RL. This document should be read and understood prior to initial operation of the product.

For ease of installation and programming use, we have addressed everything from its attractive features to its various configurations.

When designing the ZADM120-RL, we selected what we feel are the most useful features and functions. If in some cases you find that your specific needs differ from our existing products, we welcome your comments and suggestions. Custom-designed models are also available.

If further questions do arise, please call for technical support, our FAE will assist you in any way we can.



# TABLE of CONTENTS

- Section1: General Description ..... 8
  - Features .....8
  - Application .....8
  - Function .....8
    - 1. Self Test.....8
    - 2. Transmission Reset by Hardware.....9
    - 3. Reading .....9
    - 4. Reading Customized Data .....9
    - 5. Self-Arm Mode .....10
    - 6. Reader Copy .....11
    - 7. Transmitting Data Block of Tracks .....11
    - 8. Part Number Description .....12
- Section2: Configurations.....12
  - Accessories of ZADM120-RL .....14
    - Installation .....14
- Section3: Technical Specifications .....16
  - Card Specifications.....16
    - Card Type .....16
    - Thickness = 0.76 mm +/-0.08 mm .....16
    - Card Format .....16
    - Card Operation Speed.....16
  - Mechanical Specifications.....17
    - Body Material.....17
    - Dimension .....17
    - Weight.....17
    - Magnetic Head Life .....17
  - Electrical Specifications.....17
  - Environmental Specifications .....18
  - Pin Assignment .....18
  - Communication.....19
    - Synchronization .....19
    - Signal.....19
    - Transmission Protocol.....19
  - Transmission Format .....21
- Section4: Commands and Responses .....22
  - Command - Host to Reader .....22
    - P (50h) - Ready to Read .....22
    - p (70h) - Ready to Read .....23
    - Q (51h) - Transmit Standard Data, Track 1 .....23
    - R (52h) - Transmit Standard Data, Track 2.....23
    - S (53h) - Transmit Standard Data, Track 3 .....23



U (55h) - Transmit Customized Data, Track 1 ..... 23

V (56h) - Transmit Customized Data, Track 2 ..... 23

W (57h) - Transmit Customized Data, Track 3 ..... 23

u (75h) - Transmit Reverse Customized Data, Track 1 ..... 24

v (76h) - Transmit Reverse Customized Data, Track 2 ..... 24

w (77h) - Transmit Reverse Customized Data, Track 3 ..... 24

% (25h) - Retransmit ..... 24

# (23h) - Configuration Request..... 24

L (4Ch) - Green LED On..... 25

l (6Ch) - Green LED Off ..... 25

M (4Dh) - Red LED On ..... 25

m (6Dh) - Red LED Off ..... 25

(28h) - Green LED Flash..... 25

(29h) - Red LED Flash ..... 25

Z (5Ah) - One Long Beep ..... 25

z (7Ah) - One Short Beep..... 25

DC3 (13h) - Pause Transmit ..... 25

DC1 (11h) - Resume Transmit ..... 26

T (54h) - Card Type Report..... 26

ESC (1Bh) - Abort..... 26

9 (39h) - Version Report..... 26

DEL (7Fh) - Warm Reset ..... 26

\$ (24h) - Reader Status Request ..... 27

Response - Reader to Host..... 27

^ (5Eh) - ACK ..... 27

+ (2Bh) - No Data..... 27

\* (2Ah) - Error ..... 28

? (3Fh) - Communication Error ..... 28

! (21h) - Invalid Command ..... 28

: (3Ah) - Power On Report..... 28

~ (7Eh) - Cannot Execute..... 28

Section5: Configuration Commands ..... 29

Command Format..... 29

BRx (42h 52h x) - Set Baud Rate..... 29

PTx (50h 54h x) - Set Bit & Parity ..... 29

ESx (45h 53h x) - ES & SS Send Enable/Disable..... 30

LCx (4Ch 43h x) - LRC Send Enable/Disable..... 30

PCx (50h 43h x) - Set Protocol of Power On Report ..... 30

RTx (52h 54h x) - RTS Enable/Disable ..... 30

CTx (43h 54h x) - CTS Enable/Disable ..... 31

BZx (42h 5Ah x) - Buzzer Enable/Disable ..... 31

TKx (54h 4Bh x) - Set Transmitting Data Tracks ..... 31

SAX (53h 41h x) - Self-Arm Mode Enable/Disable..... 32



SPx (53h 50h x) - Set Track Separator ..... 32

JHx (4Ah 48h x) - Set JIS Read Head ..... 32

p1 data (70h 31h data) - Set Track 1 Prefix Code ..... 33

p2 data (70h 32h data) - Set Track 2 Prefix Code ..... 33

p3 data (70h 33h data) - Set Track 3 Prefix Code ..... 33

s1 data (73h 31h data) - Set Track 1 Suffix Code ..... 34

s2 data (73h 32h data) - Set Track 2 Suffix Code ..... 34

s3 data (73h 33h data) - Set Track 3 Suffix Code ..... 34

K1A type start end (4Bh 31h 41h type start end) – ..... 35

K1B type start end (4Bh 31h 42h type start end) – ..... 35

K1C type start end (4Bh 31h 43h type start end) – ..... 36

K2A type start end (4Bh 32h 41h type start end) – ..... 36

K2B type start end (4Bh 32h 42h type start end) – ..... 36

K2C type start end (4Bh 32h 43h type start end) – ..... 36

K3A type start end (4Bh 33h 41h type start end) – ..... 37

K3B type start end (4Bh 33h 42h type start end) – ..... 37

K3C type start end (4Bh 33h 43h type start end) – ..... 37

RE0 (52h 45h 00h) - Read EEPROM Data ..... 38

Byte 6 in EEPROM: Track Separator Setting ..... 39

Byte 7-12 in EEPROM: Track 1 Prefix Code Setting ..... 40

Byte 13-18 in EEPROM: Track 2 Prefix Code Setting ..... 40

Byte 19-24 in EEPROM: Track 3 Prefix Code Setting ..... 40

Byte 25-30 in EEPROM: Track 1 Suffix Code Setting ..... 40

Byte 31-36 in EEPROM: Track 2 Suffix Code Setting ..... 40

Byte 37-42 in EEPROM: Track 3 Suffix Code Setting ..... 40

Byte 43-45 in EEPROM: Channel A of Track 1 Setting ..... 40

Byte 47-49 in EEPROM: Channel B of Track 1 Setting ..... 40

Byte 51-53 in EEPROM: Channel C of Track 1 Setting ..... 40

Byte 55-57 in EEPROM: Channel A of Track 2 Setting ..... 40

Byte 59-61 in EEPROM: Channel B of Track 2 Setting ..... 40

Byte 63-65 in EEPROM: Channel C of Track 2 Setting ..... 40

Byte 67-69 in EEPROM: Channel A of Track 3 Setting ..... 40

Byte 71-73 in EEPROM: Channel B of Track 3 Setting ..... 40

Byte 75-77 in EEPROM: Channel C of Track 3 Setting ..... 40

Byte 78-98 in EEPROM: Reserved. .... 40

RE1 (52h 45h 31h) - Read Configuration Status ..... 41

RE2 (52h 45h 32h) - Read Prefix & Suffix Setting Status of Tracks ..... 41

RE3 (52h 45h 33h) - Read Channel Setting Status of Tracks ..... 41

RE4 (52h 45h 34h) - Read Serial Number ..... 41

Sdx (53h 64h x) - MSR100 Output Format Enable/Disable ..... 42

SN data (53h 4Eh data) - Write Serial Number ..... 43

Section6: Download Specification ..... 44

Introduction ..... 44



Enter Boot Mode.....44  
Procedure.....45  
Command Sets .....45  
Download Commands.....46  
Command BL --- Request the reader to enter boot mode .....46  
Command RS --- Programming reset .....47  
Command CS --- Request checksum of system program.....47  
Command ES --- Erase system program area by filling with FFh .....47  
Command BC --- Blank check .....48  
Command PRG --- Programming indicator .....48  
Command 06 --- Start programming.....49  
AppendixA: Download Application .....50  
System Requirements .....50  
Application Installation and Firmware Download .....50



## **Section 1: General Description**

This section presents general information about the basic characters of the ZADM120-RL.

### ***Features***

The ZADM120-RL provides the following features:

- Light weight: 210g (without adapter)
- Compact size: 100L\*34W\*28H (mm)
- LED and Buzzer indicators indicate card status
- Low power consumption
- Single, dual, or triple track versions allow for reading all types of magnetic cards, including credit cards and drivers licenses.
- Firmware download (refer to Section 6)

### ***Application***

This Magnetic Stripe Card Reader is design to read high or low coercive magnetic cards. It can decode/verify up to 3 tracks of data simultaneously. This product communicates with a host computer or other terminal using a standard RS-232 interface. Because of the transmitting protocol of ZADM120-RL is more precise, it is suitable for using in financial industry.

### ***Function***

#### **1. Self Test**

Whenever the reader experiences a reset cycle, a self-test is performed. The reader will respond with “:” and the LED will turn green if the entire test is successful. Otherwise, the LED will turn orange and no response will be generated.

ZBA, Inc.

revision date: 12/22/09

94 Old Camplain Road Hillsborough, NJ 08844

Ph: 908-359-2070 Fax: 908-595-0909

Web: <http://www.zbausa.com/>





Table 1-1. Self Test

Indication		Cause	Post Condition
LED	Buzzer		
Green	1 Beep	Test Success	Responds with “:.”
Orange		EEPROM Failed	Hang
Orange		Internal ROM Failed	Hang

## 2. Transmission Reset by Hardware

When the reader cannot communicate with the host, user can set the switch S1-1 to the ON position and power on the reader. The reader will beep twice and respond the baud rate, parity, CTS and RTS default setting, but the data inside EEPROM will not be changed.

## 3. Reading

The reader can read magnetic data from any available track encoded per ISO 7810, 7811, AAMVA, CA old DMV, and JIS II. The host can request the read data from the reader with commands.

For details and examples of commands and responses, refer to Section 4.

## 4. Reading Customized Data

The interface can read customized encoded magnetic data. Data integrity is not verified when reading customized data. Customized data is not formatted into ASCII characters prior to transmission to the host.



## 5. Self-Arm Mode

The default reader configuration is the “Self-Arm” mode, which allows the magstripe functions to run automatically, reporting magstripe activity to the host without instruction from the host.

In the Self-Arm mode, the reader also can accept commands from host. However, the reader can be configured to only ”Host Polled” mode by disabling Self-Arm mode. The “Host Polled” mode allows the magstripe functions to run by commands.

Below are shown the conditions of indicators when the reader is in Self-Arm mode.

Indication		Cause
LED	Buzzer	
Off		Card Swipe
Orange	2 Beeps	1 or 2 Tracks Read Miss
Red	3 Beeps	Read Error
Green	1 Beep	Read Success

When the reader is in the Self-Arm mode, the green LED indicates the reader is waiting for accepting card. While card is moving, the LED will turn off. When one or two tracks read miss, the LED shows orange for 1 second and the buzzer beeps twice.

If tracks read error, the LED turns red and beeps thrice. When the reader is in the Host Polled mode, the green LED keeps flashing.

NOTE: In Self-Arm mode, the card data will be sent out automatically after the card swiped. In this case, the hardware “handshake” ca not be supported even hardware “handshake” in configuration is set to “enable”.



## 6. Reader Copy

This function can copy all setting data down from one reader to another reader with a DB9-M to DB9-M connector. See below for the connector pin and operating steps.

Transmitting PIN	Receiving PIN
2	3
3	5
5	5

**Step1.** Switch S1-1 on and power on the source reader.

**Step2.** Connect the source and target reader.

**Step3.** Switch S1-1 on and power on the target reader.

**Step4.** The target reader orange LED goes flashing and source reader LED goes red as soon as start copy.

**Step5.** When copy finished, the target reader LED remains orange still, and the source reader LED goes green and beeps three times. If user wants to copy another reader, repeat Step 2.

**Step6.** Switch all readers S1-1 off.

## 7. Transmitting Data Block of Tracks

Each track could divide into 1-3 channels (blocks) for transmission. For example, user could set “Channel A” of track1 format as: ISO standard card track1 15th-30th characters.

If the set data is different from the data after swiping, the reader will transmit completed data without limitation. The commands of setting channels are shown in Section 5.



## 8. Part Number Description

The brief configuration of ZADM120-RL part number are shown below:

ZADM120-RL-12 Dual track 1&2

ZADM120-RL-23 Dual track 2&3

ZADM120-RL-33 Triple track 1&2&3

NOTE: ZADM120-RLA for 90mm length

Optional configuration is available.

## Section2: Configurations

This section shows the dimensions, accessories and setup for the ZADM120-RLx.

Dimensions of ZADM120-RL

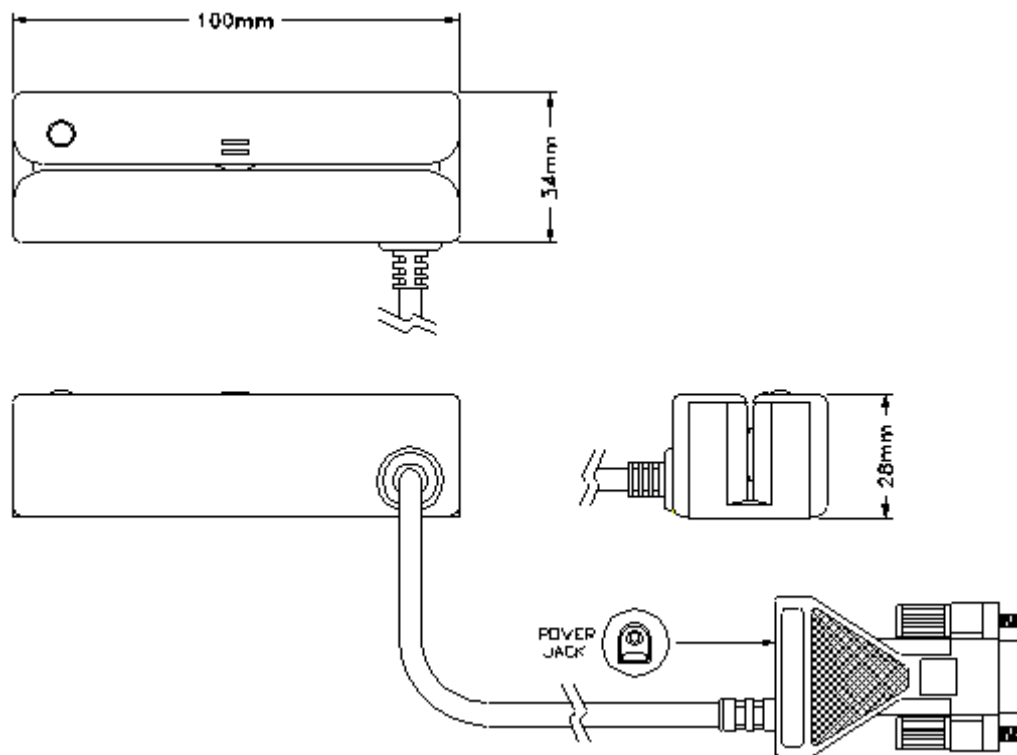


Figure 2-1. Dimensions of ZADM120-RL



ZBA Inc.

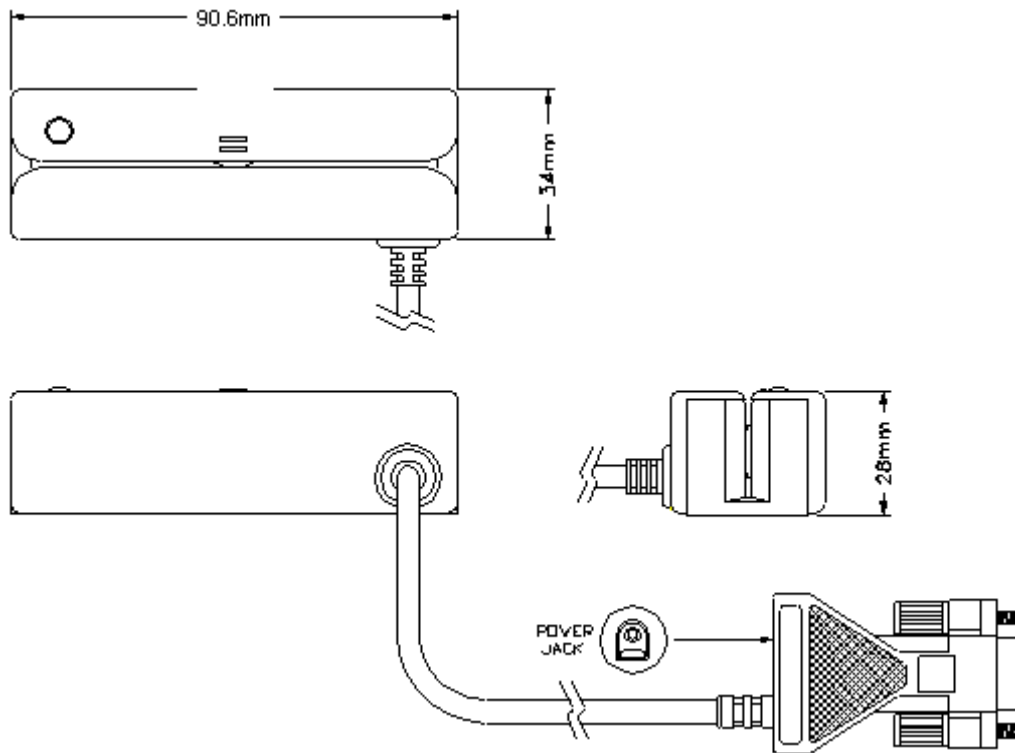


Figure 2-2. Dimensions of ZADM120-RLA



ZBA Inc.

### ***Accessories of ZADM120-RL***

The following accessories should be supplied along with ZADM120-RL. Make sure all the following accessories are contained in your package.

1. Signal cable (DB9, 1.5M)
2. Adapter, AC 110V in / DC 5V, 300mA out
3. Programmer's manual or Simple manual
4. Download application

### **Installation**

1. Power off your PC system.
2. Connect PC and ZADM120-RL as below.
3. Connect DB9 of signal cable to a free serial port and power-in barrel plug into DB9 connector of signal cable. Connect the connector to ZADM120-RL.
4. Plug in the power adapter to proper AC outlet, see instruction on adapter of the proper voltage, 110V power in.
5. Power on your PC system.

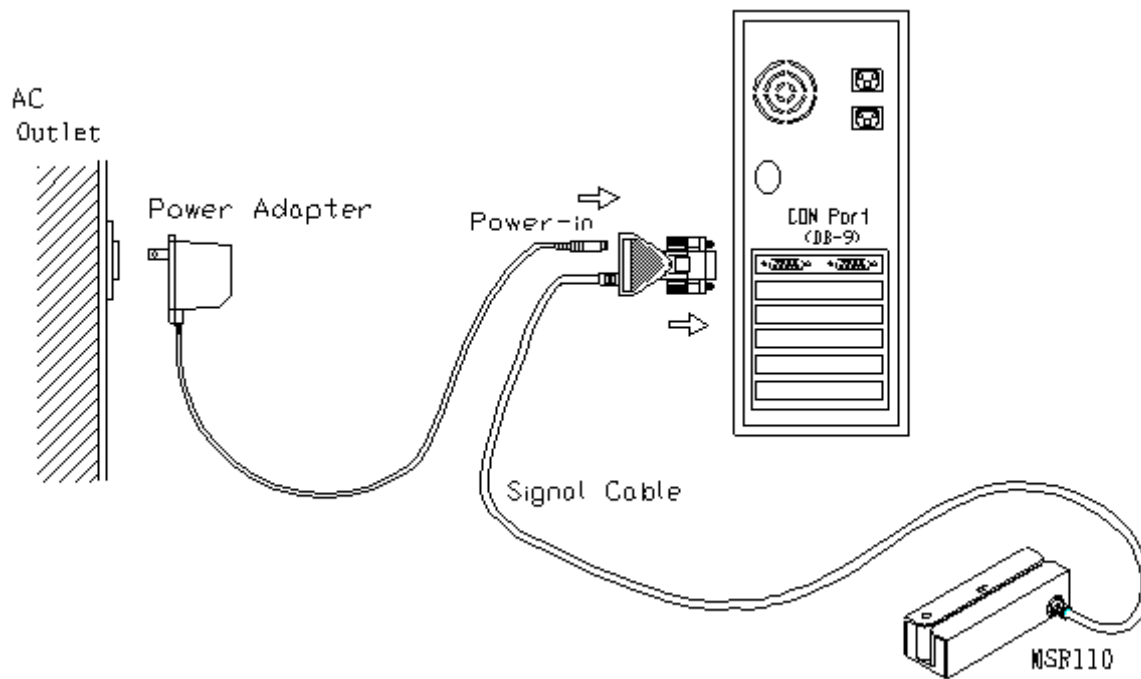


Figure 2-3. Installing ZADM120-RL



## Section3: Technical Specifications

### *Card Specifications*

#### **Card Type**

ISO standard card  
CA old DMV  
AAMVA  
JIS II  
Read high or low coercive magnetic stripes (300-4000oe)  
Read triple track 7 BPC & 210 BPI cards

**Thickness = 0.76 mm +/-0.08 mm**

#### **Card Format**

Track 1 & 3: 210 bpi  
Track 2: 75/210 bpi  
JIS II: 210 bpi

NOTE: The card data output sequence for Model J2 is ISO track 2 prior to JIS II.  
The card data output sequence for Model J3 is ISO track 1 & 2 prior to JIS II.

#### **Card Operation Speed**

Table 3-1. Card Operation Speed

Test Card	Speed (IPS)
ISO standard card	5-55
* Jitter	5-50
** Low Amplitude	5-50

NOTE: \*Jitter card: Reliable reading of magnetic stripes encoded with bit cell length variations within +/-12% of normal as defined by ISO 7811.

\*\*Low amplitude: Reliable reading of magnetic stripes encoded at 60% or more of the encoding amplitude as defined by ISO 7811.





ZBA Inc.

## ***Mechanical Specifications***

### **Body Material**

ABS 94V-0

### **Dimension**

Length: 100mm (ZADM120-RLA for 90mm)

Width: 34mm

Height: 28mm

### **Weight**

210g (without adapter)

### **Magnetic Head Life**

500K swipes Min. 1M option

## **Electrical Specifications**

Power Required = 5V DC +/- 10%

Power Consumption= 78mA Max. in normal condition

Communication= Standard RS232 signal levels (RS232 format TTL level option)

Ripple= 50mVp-p Max.

Dielectric Strength= 250VDC for 1 minute

Insulation Resistance= 10M Ohms min. at 250VDC



### Environmental Specifications

Operating Temperature: -10 ~ 50. C

Storage Temperature: -30 ~ 70. C

Operating Humidity: 10 ~ 85% (non condensing)

Storage Humidity: 10 ~ 90% (non condensing)

### Pin Assignment

Table 3-2. Pin Assignment

DB9	SIGNAL	PCB-JP2	SIGNAL	DIRECTION
1				
2	RXD	6	TxD	Out to host
3	TXD	4	RxD	In from host
4				
5	GND	8	GND	
6				
7	RTS	3	CTS	In from host
8	CTS	5	RTS	Out to host
9				

NOTE: PCB-JP2-2: VCC IN (5V)

PCB-JP2-7: SHIELD



## Communication

### Synchronization

The interface receives and transmits serial asynchronous data at voltage levels compatible with the RS232 specification.

### Signal

Logic 1 = -3 volts to 15 volts

Logic 0 = +3 volts to +15 volts

#### Baud Rate

9600 default (optional: 1200/2400/4800/19200)

### Transmission Protocol

The user may select from three different protocols: Protocol 0, 1, and 2.

Upon reset, the reader sends the power-on response “:”, depending upon the configuration setting. The reader then configures itself to the protocol of the first command from the host. From this point on, the protocol is unchangeable until a reset occurs.

#### Protocol 0

In Protocol 0, all characters are transmitted and received using exactly the characters listed in Section 4. There are no headers and Block Check Characters (BCC). Protocol 0 presumes no transmission errors. If the host detects an error, it may request a retransmission.

Table 3-3. Example for Protocol 0

Host Command	Reader Response	Comment
P		Ready to read
	^	Reader ACK

#### Protocol 1

In Protocol 1, all messages are preceded by the ASCII character <STX> and terminated with the ASCII character <ETX>, followed by a one byte <BCC>. <BCC> is an XOR of the 7 data bits, excluding parity, of each character in the entire message, including <STX>.



Format: <STX><MESSAGE><ETX><BCC>

Where STX=02Hex and ETX=03Hex.

Table 3-4. Example for Protocol 1

Host Command	Reader Response	Comment
02h 50h 03h 51h		Ready to read
	02h 5Eh 03h 5Fh	Reader ACK

### Protocol 2

In Protocol 2, all messages are preceded by the ASCII character <SOH>, followed by a one byte reader address, one byte character count and terminated with a one byte <BCC>.

The <BCC> is an XOR of the characters (8 bits) in the entire message, including <SOH>.

Format: <SOH><ADDRESS><00Hex><COUNT><MESSAGE><BCC>

or <SOH><ADDRESS><00Hex><00Hex><MESSAGE><EOT><BCC>

where SOH=01Hex and EOT=04Hex.

Table 3-5. Example for Protocol 2

Host Command	Reader Response	Comment
01h 00h 00h 01h 50h 50h		Ready to read
	01h 00h 00h 01h 5Eh 5Eh	Reader ACK

The <ADDRESS> field is for a multi-reader system. This function is not currently supported. The recommended value for this field is NULL (00Hex), however, any value will work.

If the value of <COUNT> fields are zero, an <EOT>, followed by the <BCC>, completes the message. The reader may, at its option, use NULL for COUNT when transmitting.

For Protocol 1 and 2, if the reader detects an error in an incoming transmission, it will respond with a “Communications Error” message. If the host detects a transmission error, it may request a retransmission. Both protocols enforce a 100mSec timeout between characters.



For all Protocols, the host may, at any time, stop/start the reader transmission by using software “handshake” (DC3/DC1) or hardware “handshake” (if enabled in EEPROM configuration) by controlling the CTS line.

NOTE: In Self-Arm mode, the card data will be sent out automatically after the card swiped. In this case, the hardware “handshake” ca not be supported even hardware handshake in configuration is set to “enable”.

**Transmission Format**

**Data Output Format (Self-ARM mode)**

Protocol code	Tk1 prefix	Tk1 Data	Tk1 suffix	EOT	BCC	
Protocol code	Separator	Tk2 prefix	Tk2 Data	Tk2 suffix	EOT	BCC
Protocol code	Separator	Tk3 prefix	Tk3 Data	Tk3 suffix	EOT	BCC

**Read data for command**

Read Tk1 data for command

Protocol code	Tk1 prefix	Tk1 Data	Tk1 suffix	EOT	BCC
---------------	------------	----------	------------	-----	-----

Read Tk2 data for command

Protocol code	Tk2 prefix	Tk2 Data	Tk2 suffix	EOT	BCC
---------------	------------	----------	------------	-----	-----

Read Tk3 data for command

Protocol code	Tk3 prefix	Tk3 Data	Tk3 suffix	EOT	BCC
---------------	------------	----------	------------	-----	-----

NOTE: Tk data: SS (option) Track data ES (option) LRC (option)



## Section4: Commands and Responses

This section describes the commands and responses available for the ZADM120-RL series.

Each item includes the ASCII, hexadecimal codes and comments paragraph. The comments paragraph provides an explanation of the command. The letter “x” indicates a variable and the letter 'h' is an abbreviation of 'hexadecimal'.

All readers are capable of communicating in 3 protocols: 0, 1 and 2. If protocol 0 is selected, all commands and responses are as listed in this section.

If protocol 1 is selected, the characters STX, ETX and BCC must be added to all transmissions. If protocol 2 is selected, the characters SOH, ADDRESS, COUNT and BCC must be added to all transmissions.

### *Command - Host to Reader*

#### **P (50h) - Ready to Read**

Comments :

1	Clear buffers
2	Transmit "ACK".
3	Expect for card swipe.
4	Transmit "ACK" after card swipe

After an "Ready to Read" command is received and acknowledged, the only valid commands that will be accepted for execution are: "Abort" <ESC>, "Status" <\$> and LED control commands.

When the reader is ready for "Read on Insert", the "ACK" after card swipe will be transmitted after the rear sensor is activated. For read on reverse swipe, the "ACK" after card swipe will be transmitted after the front sensor is de-activated.



**p (70h) - Ready to Read**

Comments:

Same as 'P' command, except an extra response "(" is reported when a media is detected through the read head. A ")" response is reported when media detect goes inactive, and response ">" when no magstripe.

**Q (51h) - Transmit Standard Data, Track 1**

**R (52h) - Transmit Standard Data, Track 2**

**S (53h) - Transmit Standard Data, Track 3**

Comments :

1	Process data in the read buffer for the specified track according to ISO, AAMVA and DMVformat.
2	Transmit data in ASCII
3	If error is detected, transmit proper error response "*". If no data transmit "+". (Refer to Response - Reader to Host section)

**U (55h) - Transmit Customized Data, Track 1**

**V (56h) - Transmit Customized Data, Track 2**

**W (57h) - Transmit Customized Data, Track 3**

Comments :

1	To request customized data with no "nulls" allowed, use the two bytes command: "transmit customized data" command, followed by an ASCII number (3-8), which specifies the number of bits per customized character.
2	Process data to the read buffer for the specified track, based upon the "number of bits" character

.



**u (75h) - Transmit Reverse Customized Data, Track 1**

**v (76h) - Transmit Reverse Customized Data, Track 2**

**w (77h) - Transmit Reverse Customized Data, Track 3**

Comments :

1	To request customized data with no "nulls" allowed, use the two bytes command: "transmit customized data" command, followed by an ASCII number (3-8), which specifies the number of bits per customized character.
2	Process reversed-bit data (result of reverse swipe) to the read buffer for the specified track, based upon the "number of bits" character.

**% (25h) - Retransmit**

Comments :

Request to retransmit the previous valid command except "P" and "p" commands.

NOTE: Z (or z) command will not be retransmitted.

**# (23h) - Configuration Request**

Comments :

Transmit a byte, which represents configuration of the interface as follows:

Bit 0	Track 1 read capability
Bit 1	Track 2 read capability
Bit 2	Track 3 read capability
Bit3	0
Bit4	0
Bit5	1
Bit6	1
Bit7	Parity (protocol 0 and 1 only), 0 (protocol 2)

Where "1" bit means "capable of..." and "0" bit means "not capable of...".





**L (4Ch) - Green LED On**

**I (6Ch) - Green LED Off**

**M (4Dh) - Red LED On**

**m (6Dh) - Red LED Off**

Comments

1	Turn green/red LED on/off, as specified.
2	Transmit "ACK".

**(28h) - Green LED Flash**

**(29h) - Red LED Flash**

Comments:

1	Begin flashing the specified LED on and off (approximately 250mSec On and 250mSec Off). Continues flashing until changed by another LED command or by continued interrupt mode operation.
2	Transmit "ACK".

**Z (5Ah) - One Long Beep**

**z (7Ah) - One Short Beep**

Comments :

1	The buzzer beeps a long (approx. 0.5mSec)/short (approx. 0.2mSec) beep.
2	Transmit "ACK".

**DC3 (13h) - Pause Transmit**

Comments

Stop transmitting data.



### DC1 (11h) - Resume Transmit

Comments

Resume transmission of data.

### T (54h) - Card Type Report

Comments

Transmit a byte, which represents the swiping card type.

1 (31H)	CA old DMV
2 (32H)	AAMVA
3 (33H)	ISO
4 (34H)	JIS II
6 (36H)	Trade Show Card
0 (30H)	No data (sending T command just right after power on)

### ESC (1Bh) - Abort

Comments

1	Abort command is issued after the first character of double character "read" command has been issued
2	Abort command is issued after the reader has responded to command "P" or "p". (Reader would be waiting for card swipe to read)
3	No response to "Abort" command if the reader just power on and no command is received before.

### 9 (39h) - Version Report

Comments

Transmit a string that includes the version number (8-digit) and its date (mmddyy).

### DEL (7Fh) - Warm Reset

Comments

Abort all current actions and cause the device to execute all initialization functions (device will respond exactly as it would for a "power on" cycle).

NOTE: This command byte is not recognized as a command within data strings.



### \$ (24h) - Reader Status Request

Comments

Transmit one byte representing the reader status as follows:

Reader Status

Bit	0	1
0 & 1	00:Green LED off 01:Green LED on 10:Green LED flash	
2 & 3	00:Red LED off 01:Red LED on 10:Red LED flash	
4	Buzzer disable	Buzzer enable
5	No magstripe data	Magstripe data available
6	Not ready to read	Ready to read
7	Parity for protocols 0 &1	Not used for protocol 2

### *Response - Reader to Host*

#### ^ (5Eh) - ACK

Comments

Last command has been completed without an error condition, and ready for the next command.

#### + (2Bh) - No Data

Comments

If host gets the response from reader, it may mean one of following:

1	In case of a "standard format" read command, this response "+" means "no start sentinel (SS) found".
2	In case of a "read error" command, this response "+" means "no history of a previous read error".



**\* (2Ah) - Error**

Comments

If host gets the response from reader, it may mean one of following:

1	No end sentinel (ES).
2	Parity error.
3	LRC error.

**? (3Fh) - Communication Error**

Comments

If host gets the response from reader, it may mean one of following:

1	Bad parity.
2	Wrong BCC.
3	Receive character time-out.
4	Message more than maximum character allowed.

**! (21h) - Invalid Command**

Comments

Command issued by the host was not recognized or will not accept.

**: (3Ah) - Power On Report**

Comments

The interface has completed its initialization cycle.

**~ (7Eh) - Cannot Execute**

Comments

Read or encode command cannot be executed due to lack of hardware in the device.



## Section5: Configuration Commands

This section describes the internal configuration commands available for the ZADM120-RL.

Each item provides the ASCII, hexadecimal code and an explanation of the command. The letter “x” indicates a variable and the letter “h” is an abbreviation of “hexadecimal”.

### Command Format

<09Hex><ADDRESS><command counter Hex><COMMAND><BCC>

NOTE: Command Length is in hex value.

### BRx (42h 52h x) - Set Baud Rate

x is an ASCII number (0-4)

Table 5-1. Baud Rate Setting

ASCII	Command Form (Hex)	Baud Rate
0	09h 00h 03h 42h 52h 30h 2Ah	1200
1	09h 00h 03h 42h 52h 31h 2Bh	2400
2	09h 00h 03h 42h 52h 32h 28h	4800
3	09h 00h 03h 42h 52h 33h 29h	9600 (default)
4	09h 00h 03h 42h 52h 34h 2Eh	19200

### PTx (50h 54h x) - Set Bit & Parity

x is an ASCII number (0-4)

Table 5-2. Bit & Parity Setting

ASCII	Command Form (Hex)	Bit & Parity
0	09h 00h 03h 50h 54h 30h 3Eh	7 EVEN
1	09h 00h 03h 50h 54h 31h 3Fh	7 ODD
2	09h 00h 03h 50h 54h 32h 3Ch	7 MARK (logic 1)
3	09h 00h 03h 50h 54h 33h 3Dh	7 SPACE (logic 0)
4	09h 00h 03h 50h 54h 34h 3Ah	8 NONE (default)



### ESx (45h 53h x) - ES & SS Send Enable/Disable

x = E (45h enable) or D (44h disable)

Table 5-3. ES & SS Send Enable/Disable

Command Form (Hex)	ES&SS Sending
09h 00h 03h 45h 53h 44h 58h	Disable
09h 00h 03h 45h 53h 45h 59h	Enable (default)

### LCx (4Ch 43h x) - LRC Send Enable/Disable

x = E(45h enable) or D(44h disable)

Table 5-4. LRC Send Enable/Disable

Command Form (Hex)	LRC Sending
09h 00h 03h 4Ch 43h 44h 41h	Disable (default)
09h 00h 03h 4Ch 43h 45h 40h	Enable

### PCx (50h 43h x) - Set Protocol of Power On Report

x is an ASCII number (1-3)

Table 5-5. Protocol Setting

ASCII	Command Form (Hex)	Protocol
1	09h 00h 03h 50h 43h 31h 28h	Protocol 0 (default)
2	09h 00h 03h 50h 43h 32h 2Bh	Protocol 1
3	09h 00h 03h 50h 43h 33h 2Ah	Protocol 2

### RTx (52h 54h x) - RTS Enable/Disable

x = E(45h enable) or D(44h disable)

Table 5-6. RTS Setting

Command Form (Hex)	RTS
09h 00h 03h 52h 54h 44h 48h	Disable (default)
09h 00h 03h 52h 54h 45h 49h	Enable

NOTE: We shall enable RTS first, then CTS; and disable CTS prior to RTS. Neither enable nor disable needs to do power reset or warm start.



### CTx (43h 54h x) - CTS Enable/Disable

x = E(45h enable) or D(44h disable)

Table 5-7. CTS Setting

Command Form (Hex)	CTS
09h 00h 03h 43h 54h 44h 59h	Disable (default)
09h 00h 03h 43h 54h 45h 58h	Enable

### BZx (42h 5Ah x) - Buzzer Enable/Disable

x = E(45h enable) or D(44h disable)

NOTE: No matter buzzer is enable or not, the reader still can accept Z or z commands to let it beep.

Table 5-8. Buzzer Setting

Command Form (Hex)	Buzzer
09h 00h 03h 42h 5Ah 44h 56h	Disable
09h 00h 03h 42h 5Ah 45h 57h	Enable (default)

### TKx (54h 4Bh x) - Set Transmitting Data Tracks

x is an ASCII number (1-7)

Table 5-9. Transmit Tracks Setting

ASCII	Command Form (Hex)	Transmit Tracks
1	09h 00h 03h 54h 4Bh 31h 24h	Track 1
2	09h 00h 03h 54h 4Bh 32h 27h	Track 2
3	09h 00h 03h 54h 4Bh 33h 26h	Track 1 & 2
4	09h 00h 03h 54h 4Bh 34h 21h	Track 3
5	09h 00h 03h 54h 4Bh 35h 20h	Track 1 & 3
6	09h 00h 03h 54h 4Bh 36h 23h	Track 2 & 3
7	09h 00h 03h 54h 4Bh 37h 22h	Track 1, 2 & 3 (default)

### AAx (41h 41h x) - Set Address

1	x is a binary byte (00h-0Fh)
2	Set address 00h: <09h 00h 03h 41h 41h 00h 0Ah>



### SAx (53h 41h x) - Self-Arm Mode Enable/Disable

x = E(45h enable) or D(44h disable)

Table 5-10. Self-Arm mode setting

Command Form (Hex)	Self-Arm mode
09h 00h 03h 53h 41h 44h 5Ch	Disable
09h 00h 03h 53h 41h 45h 5Dh	Enable (default)

### SPx (53h 50h x) - Set Track Separator

1	x = Hex Code
2	x = 00h means do not send separator code

Table 5-11. Track Separator Setting

Command Form (Hex)	Track Separator
09h 00h 03h 53h 50h 00h 09h	Disable (default)
09h 00h 03h 53h 50h 0Dh 04h	Enable

### JHx (4Ah 48h x) - Set JIS Read Head

x = E(45h enable) or D(44h disable)

Table 5-12. JIS Read Head Setting

Command Form (Hex)	JIS Read Head
09h 00h 03h 4Ah 48h 44h 4Ch	Without (default)
09h 00h 03h 4Ah 48h 45h 4Dh	With





**p1 data (70h 31h data) - Set Track 1 Prefix Code**

1	Prefix can be set as 1-6 characters
2	If first character = 00h, prefix code of track 1 will not be sent. It means this function is disabled.

Table 5-13. Set Track 1 Prefix Code

Command Form (Hex)	Track 1 Prefix Code
09h 00h 03h 70h 31h 00h 4Bh	Disable (default)
Example of Track 1 Prefix Code Setting	
09h 00h 00h 70h 31h 0Ah 42h	One character: 0Ah
09h 00h 05h 70h 31h 54h 4Bh 01h 53h	3 characters: 54h 4Bh 01h

**p2 data (70h 32h data) - Set Track 2 Prefix Code**

1	Prefix can be set as 1-6 characters
2	If first character = 00h, prefix code of track 2 will not be sent. It means this function is disabled.

Table 5-14. Set Track 2 Prefix Code

Command Form (Hex)	Track 2 Prefix Code
09h 00h 03h 70h 32h 00h 48h	Disable (default)
Example of Track 2 Prefix Code Setting	
09h 00h 00h 70h 32h 0Bh 40h	One character: 0Bh
09h 00h 05h 70h 32h 54h 4Bh 02h 53h	3 characters: 54h 4Bh 02h

**p3 data (70h 33h data) - Set Track 3 Prefix Code**

1	Prefix can be set as 1-6 characters
2	If first character = 00h, prefix code of track 3 will not be sent. It means this function is disabled.



Table 5-15. Set Track 3 Prefix Code

Command Form (Hex)	Track 3 Prefix Code
09h 00h 03h 70h 33h 00h 49h	Disable (default)
Example of Track 3 Prefix Code Setting	
09h 00h 00h 70h 33h 0Ch 46h	One character: 0Ch
09h 00h 07h 70h 33h 54h 4Bh 03h 03h 03h 51h	5 characters: 54h 4Bh 03h 03h 03h

**s1 data (73h 31h data) - Set Track 1 Suffix Code**

1	Suffix can be set as 1-6 characters
2	If first character = 00h, suffix code of track 1 will not be sent. It means this function is disabled

Table 5-16. Set Track 1 Suffix Code

Command Form (Hex)	Track 1 Suffix Code
09h 00h 03h 73h 31h 00h 48h	Disable (default)
Example of Track 1 Suffix Code Setting	
09h 00h 03h 73h 31h 06h 4Eh	One character: 06h

**s2 data (73h 32h data) - Set Track 2 Suffix Code**

1	Suffix can be set as 1-6 characters
2	If first character = 00h, suffix code of track 2 will not be sent. It means this function is disabled

Table 5-17. Set Track 2 Suffix Code

Command Form (Hex)	Track 2 Suffix Code
09h 00h 03h 73h 32h 00h 4Bh	Disable (default)
Example of Track 2 Suffix Code Setting	
09h 00h 04h 73h 32h 06h 06h 4Ch	2 characters: 06h 06h

**s3 data (73h 33h data) - Set Track 3 Suffix Code**

1	Suffix can be set as 1-6 characters
2	If first character = 00h, suffix code of track 3 will not be sent. It means this function is disabled.



Table 5-18. Set Track 3 Suffix Code

Command Form (Hex)	Track 3 Suffix Code
09h 00h 03h 73h 33h 00h 4Ah	Disable (default)
Example of Track 3 Suffix Code Setting	
09h 00h 03h 73h 33h 06h 4Ch	One character: 06h

**K1A type start end (4Bh 31h 41h type start end) -**

Set Transmitting Data Block =, Channel A of Track 1 where type means card type, start means start address of transmitting data, and end means end address of transmitting data.

1 (31H)	CA old DMV
2 (32H)	AMVA
3 (33H)	ISO
4 (34H)	JIS II
6 (36h)	Trade Show
O (4FH)	any type

Table 5-19. Data Block Channel A, Tk1

Command Form (Hex)	Data Block Channel A, Tk1
09h 00h 06h 4Bh 31h 41h 00h 00h 00h 34h	Disable (default)
Example of Track 1 Data Block Channel A Setting	
09h 00h 06h 4Bh 31h 41h 33h 06h 20h 21h	ISO 6-32

**K1B type start end (4Bh 31h 42h type start end) -**

Set Transmitting Data Block, Channel B of Track 1

Table 5-20. Data Block Channel B, Tk1

Command Form (Hex)	Data Block Channel B, Tk1
09h 00h 06h 4Bh 31h 42h 00h 00h 00h 37h	Disable (default)
Example of Track 1 Data Block Channel B Setting	
09h 00h 06h 4Bh 31h 42h 33h 26h 30h 12h	ISO 38-48



**K1C type start end (4Bh 31h 43h type start end) -**

Set Transmitting Data Block, Channel C of Track 1

Table 5-21. Data Block Channel C, Tk1

Command Form (Hex)	Data Block Channel C, Tk1
09h 00h 06h 4Bh 31h 43h 00h 00h 00h 36h	Disable (default)
Example of Track 1 Data Block Channel C Setting	
09h 00h 06h 4Bh 31h 43h 33h 36h 40h 73h	ISO 54-64

**K2A type start end (4Bh 32h 41h type start end) -**

Set Transmitting Data Block, Channel A of Track 2

Table 5-22. Data Block Channel A, Tk2

Command Form (Hex)	Data Block Channel A, Tk2
09h 00h 06h 4Bh 32h 41h 00h 00h 00h 37h	Disable (default)
Example of Track 2 Data Block Channel A Setting	
09h 00h 06h 4Bh 32h 41h 32h 0Ah 16h 19h	AAMVA 10-22

**K2B type start end (4Bh 32h 42h type start end) -**

Set Transmitting Data Block, Channel B of Track 2

Table 5-23. Data Block Channel B, Tk2

Command Form (Hex)	Data Block Channel B, Tk2
09h 00h 06h 4Bh 32h 42h 00h 00h 00h 34h	Disable (default)
Example of Track 2 Data Block Channel B Setting	
09h 00h 06h 4Bh 32h 42h 33h 0Ah 1Ah 55h	ISO 10-26

**K2C type start end (4Bh 32h 43h type start end) -**

Set Transmitting Data Block, Channel C of Track 2

Table 5-24. Data Block Channel C, Tk2

Command Form (Hex)	Data Block Channel C, Tk2
09h 00h 06h 4Bh 32h 43h 00h 00h 00h 35h	Disable (default)
Example of Track 2 Data Block Channel C Setting	
09h 00h 06h 4Bh 32h 43h 31h 06h 20h 22h	CA old DMV 06-32



**K3A type start end (4Bh 33h 41h type start end) -**

Set Transmitting Data Block, Channel A of Track 3

Table 5-25. Data Block Channel A, Tk3

Command Form (Hex)	Data Block Channel A, Tk3
09h 00h 06h 4Bh 33h 41h 00h 00h 00h 36 h	Disable (default)
Example of Track 3 Data Block Channel A Setting	
09h 00h 06h 4Bh 33h 41h 4Fh 10h 30h 59h	Any type 16-49

**K3B type start end (4Bh 33h 42h type start end) -**

Set Transmitting Data Block, Channel B of Track 3

Table 5-26. Data Block Channel B, Tk3

Command Form (Hex)	Data Block Channel B, Tk3
09h 00h 06h 4Bh 33h 42h 00h 00h 00h 35h	Disable (default)
Example of Track 3 Data Block Channel B Setting	
09h 00h 06h 4Bh 33h 42h 33h 11h 34h 23h	ISO 17-52

**K3C type start end (4Bh 33h 43h type start end) -**

Set Transmitting Data Block, Channel C of Track 3

Table 5-27. Data Block Channel C, Tk3

Command Form (Hex)	Data Block Channel C, Tk3
09h 00h 06h 4Bh 33h 43h 00h 00h 00h 34h	Disable (default)
Example of Track 3 Data Block Channel C Setting	
09h 00h 06h 4Bh 33h 43h 32h 06h 40h 40h	AAMVA 06-64

**DF0 (44h 46h 00h) - Default Setting**

Command Form: <09h 00h 03h 44h 46h 00h 08h>

Default settings are as follows:

1	9600 baud rate	2	8 bits non parity
---	----------------	---	-------------------



3	Send SS/ES	4	LRC not send
5	CTS disable	6	RTS disable
7	Buzzer enable	8	Without JIS read head
9	Power on in protocol 0	10	Transmit TK1, TK2 and TK3
11	Self-Arm mode enable	12	Read address = 00h

### RE0 (52h 45h 00h) - Read EEPROM Data

Command Form: <09h 00h 03h 52h 45h 00h 1Dh>

1	The reader's setting status is recorded in EEPROM, 98 bytes total
2	The symbol "*" in this paragraph indicates "do not care".

Byte1 and 2 in EEPROM are 00h, 13h separately. They are identical characters.

Byte 3 in EEPROM

Table 5-28. Byte 3 of EEPROM Status

Bit 7	SS&ES Status	Bit 6	LRC Status	Bit 5	Bit 4	Bit 3	Bit & Parity	Bit 2	Bit 1	Bit 0	Baud Rate Status
0	Not Send	0	Send	0	0	0	7 even	0	0	0	1200
1	Send	1	Not send	0	0	1	7 odd	0	0	1	2400
*	*	*	*	0	1	0	7mark	0	1	0	4800
*	*	*	*	0	1	1	7space	0	1	1	9600
*	*	*	*	1	0	0	8 none	1	0	0	19200

Byte 4 in EEPROM

Table 5-29. Byte 4 of EEPROM Status

Bit 7	Bit 6	Protocol	Bit 5	CTS Status	Bit 4	RTS Status	Bit 3	MSR output format	Bit 2	Bit 1	Bit 0	Transmitting Data Track
0	1	0	0	Ignore	0	Always	0	Disable	*	*	0	Do not



						low						transmit TK1
1	0	1	1	Consider	1	Low when transmit data	1	Enable	*	*	1	Transmit TK1
1	1	2	*	*	*	*	*	*	*	0	*	Do not transmit TK1
*	*	*	*	*	*	*	*	*	*	1	*	Transmit TK2
*	*	*	*	*	*	*	*	0	0	*	*	Do not transmit TK1
*	*	*	*	*	*	*	*	1	1	*	*	Transmit TK3

NOTE: If never set “PC” command then bit 6 and bit 7 are 00, it means protocol 0.

Byte 5 in EEPROM

Table 5-30. Byte 5 of EEPROM Status

Bit 7	Bit 6	Bit 5	Bit 4	Address (Hex code)	Bit 3	JIS Read Head	Bit 2	Self-Arm mode	Bit 1	Bit 0	Buzzer
*	*	*	*	*	0	without	0	Disable	*	0	Disable
*	*	*	*	*	1	with	1	Enable	*	1	Enable
*	*	*	*	*	*	*		*	*	*	*
*	*	*	*	*	*	*	*	*	*	*	*
*	*	*	*	*	*	*	*	*	*	*	*
*	*	*	*	*	*	*	*	*	*	*	*

**Byte 6 in EEPROM: Track Separator Setting**

Hex code “00h” means do not transmit this byte.



ZBA Inc.

**Byte 7-12 in EEPROM: Track 1 Prefix Code Setting**

**Byte 13-18 in EEPROM: Track 2 Prefix Code Setting**

**Byte 19-24 in EEPROM: Track 3 Prefix Code Setting**

**Byte 25-30 in EEPROM: Track 1 Suffix Code Setting**

**Byte 31-36 in EEPROM: Track 2 Suffix Code Setting**

**Byte 37-42 in EEPROM: Track 3 Suffix Code Setting**

NOTE: Each byte in byte 7-42 is Hex code. When one of the byte is "00h" the device does not transmit data from this byte to the end byte of the block.

**Byte 43-45 in EEPROM: Channel A of Track 1 Setting**

**Byte 47-49 in EEPROM: Channel B of Track 1 Setting**

**Byte 51-53 in EEPROM: Channel C of Track 1 Setting**

**Byte 55-57 in EEPROM: Channel A of Track 2 Setting**

**Byte 59-61 in EEPROM: Channel B of Track 2 Setting**

**Byte 63-65 in EEPROM: Channel C of Track 2 Setting**

**Byte 67-69 in EEPROM: Channel A of Track 3 Setting**

**Byte 71-73 in EEPROM: Channel B of Track 3 Setting**

**Byte 75-77 in EEPROM: Channel C of Track 3 Setting**

**Byte 78-98 in EEPROM: Reserved.**

NOTE1: Each byte in byte 43-77 is Hex code. The first byte of each block represents card type. The second byte of each block represents the start address of transmitting data. The third byte of each block represents the end address of transmitting data.

NOTE2: Byte 46, 50, 54, 58, 62, 66, 70, 74 are not used.





ZBA Inc.

### **RE1 (52h 45h 31h) - Read Configuration Status**

Command Form: <09h 00h 03h 52h 45h 31h 2Ch>

This is used to send byte 3-6 data of EEPROM to host.

### **RE2 (52h 45h 32h) - Read Prefix & Suffix Setting Status of Tracks**

Command Form: <09h 00h 03h 52h 45h 32h 2Fh >

This is used to send byte 7-42 data of EEPROM to host.

### **RE3 (52h 45h 33h) - Read Channel Setting Status of Tracks**

Command Form: <09h 00h 03h 52h 45h 33h 2Eh>

This is used to send byte 43-77 data of EEPROM to host.

**NOTE:** In the case of RE1, RE2, RE3 command, the device transforms the EEPROM data from hexadecimal code into ASCII code, and send it out. For example, if the EEPROM data is “2Ah” the host will receive “32h 41h”. Hence, executing these 3 commands, the host will serially transform each 2 bits of received data into hexadecimal code.

### **RE4 (52h 45h 34h) - Read Serial Number**

Command Form: <09h 00h 03h 52h 45h 34h 29h>

This is used to send byte 100-107 data of EEPROM to host.

**NOTE:** In the case of RE4 command, the device transforms the EEPROM data from hexadecimal code into ASCII code per byte, and sends it out.



### Sdx (53h 64h x) - MSR100 Output Format Enable/Disable

x = E (45h enable) or D (44h disable)

Table 5-31. MSR100 output format setting

Command Form (Hex)	MSR output format
09h 00h 03h 53h 64h 44h 79h	Disable (default)
09h 00h 03h 53h 64h 45h 78h	Enable

Note that this command is only effective in Self-Arm mode and protocol 0.

When MSR output format is enabled, the output data format is as below:

<u>Single track</u>	<STX><SS><SINGLE TRACK DATA><ES><LRC (optional)><ETX>
<u>Dual track</u>	<STX><SS><FIRST TRACK DATA><ES><LRC (optional)><DLE> <STX><SS><SECOND TRACK DATA><ES><LRC (optional)><ETX>
<u>Triple track</u>	<STX><SS><TRACK 1 DATA><ES><LRC (optional)><DLE> <STX><SS><TRACK 2 DATA><ES><LRC (optional)><DLE> <STX><SS><TRACK 3 DATA><ES><LRC (optional)><ETX>

Remarks:

SS = START SENTINEL

TRACK1= % (ISO, DMV & AAMVA)

TRACK2= ; (ISO, DMV & AAMVA)

TRACK3= ; (ISO) % (AAMVA) ! (CA old DMV)

ES = END SENTINEL

TRACK1, 2 & 3= ? (ISO, CA old DMV & AAMVA)

STX = START TEXT, ETX = END TEXT, DLE = DATA LINK ESCAPE, LRC = CHECKSUM (optional).

When MSR output format is disabled, the output data format restores to previous setting.

#### NOTES:

1. Only following commands are valid while MSR100 output format is enabled: BRx, DF0, LCx, RTx, CTx, and BL.
2. Output nothing if read error or no data.



**SN data (53h 4Eh data) - Write Serial Number**

1	Serial number can be set as 0-7 characters
2	The character in hex is valid from 20 to 7E.

Table 5-32. Write serial number

Command Form (Hex)	Serial Number Code
09h 00h 02h 53h 4Eh 16h	0000000 (7 zeros, default)
Example of Serial Number Setting	
09h 00h 03h 53h 4Eh 0Ah 1Dh	One character: 0Ah
09h 00h 09h 53h 4Eh 31h 32h 33h 34h 35h 36h 37h 34h 35h 36h 37h 2Dh	7 characters: 31h 32h 33h 34h 35h 36h 37h

**NOTE:** Before sending SN command, if the LED is blinking, it may let LED keep either on or off still during the SN is in the process of writing.



## Section6: Download Specification

### *Introduction*

This section provides the information about firmware download via sending download commands from host to the reader. Except download commands, there are some system commands listed below can be used in boot mode for application purpose.

1	9 (39h)	-- Version Report
2	L (4Ch)	Green LED On
3	l (6Ch)	Green LED Off
4	M (4Dh)	Red LED On
5	m (6Dh)	Red LED Off
6	Z (5Ah)	One Long Beep
7	7. z (7Ah)	One Short Beep

### *Enter Boot Mode*

The reader can go into boot mode by receiving the specific command from host when the f/w download is needed.

Anytime, in case the reader goes abnormally, user can use another way to let reader go into boot mode and re-download firmware. Power off reader, set the switch S1-2 on, and then power on the reader to force reader into boot mode. As soon as f/w download done, user have to power off the reader and turn switch S1-2 off.

The reader cannot operate normally while switch S1-2 is on.

According to the description above, user can enter into boot mode two ways :

1. Power off reader, set the switch S1-2 on, and then power on the reader to force reader get into boot mode.
2. Send command BL to the reader. As soon as the reader acknowledges this command, it will go into boot mode and the LED keeps red flashing.



## ***Procedure***

When the reader is in boot mode, it can accept download commands from host to do download firmware.

For download firmware, the host shall send the command(s) to reader sequentially. The host shall send the command RS to reset the reader after finishing download. If any errors occurred during download, the host will receive the error response \*. After the host received the response, it shall abort the process.

User shall follow the steps below in order to do firmware download:

1. Erase system program area first.
2. To do the blank check after step 1. If the result is failed, then repeat step 1.
3. Send programming indicator command to inform reader how much amount data will be downloaded.
4. Send start programming command to do firmware download. If it's timeout during downloading, repeat the procedure from step 1.

## ***Command Sets***

This section describes the download commands and responses available for the reader. Except command BL, the download commands are effective only in boot mode.

Each download command description includes its data element, size and comments. The comments provide an explanation of each data element. The letter 'H/h' written in size column is an abbreviation of 'hexadecimal'.

Except transfer data command 06, all download commands are preceded by a header, hex code 09h, and terminated with one byte {LRC}. {LRC} is an XOR of the 8 data bits of each character in the entire download command.

Download Command Format:

**<09Hex><Address><Command Length><Command>[Data 1][Data 2]<LRC>**

NOTE: Default <Address> is 00h; <Command length> is in hex value; [Data] is optional.



Data Element	Size	Comments
<Header>	1H	Download Command Header, value: 09h
<Address>	1H	Address, value: 00h (default)
<Command Length>	1H	Indicate the length of <command> and [data]
<Command>	2H	Command code
[Data]	1H	Optional
{LRC}	1H	Error Check
Maximum: 8 characters Minimum: 6 characters		

### ***Download Commands***

The download commands are used to enter boot mode and do firmware related functions between host and reader.

Command	Description	Effective Mode
BL	Request the reader to enter boot mode	Both in system and boot mode
RS	Programming reset	Boot mode only
CS	Request checksum of system program	Boot mode only
ES	Erase system program area by filling with FFh	Boot mode only
BC	Blank check	Boot mode only
PRG	Programming indicator	Boot mode only
06	Start programming	Boot mode only

### ***Command BL --- Request the reader to enter boot mode***

When the reader receives this command from host, it will go into boot mode and let LED goes red flashing without responding any message to host.

Command: BL, RS, CS, ES, BC		
Command Format: <Header><Address><Command Length><Command>{LRC}		
Data Element	Size	Comments
<Header>	1H	Packet Command Header, value: 09h
<Address>	1H	Address, value: 00h (default)
<Command Length>	1H	Indicate the length of <command>, value: 02h
<Command>	2H	Command code
{LRC}	1H	Error Check
Maximum: 6 characters Minimum: 6 characters		



**Command RS --- Programming reset**

After download done, the host shall send this command to the reader to reset the reader. As soon as the reader receives this command, it will execute all initialization functions (device will respond exactly as it would for a "power on" cycle) and let the reader back to system mode.

NOTE: The command format can be found in **command BL** section.

**Command CS --- Request checksum of system program**

The host sends this command to request the checksum (2-byte) of system program.

NOTE: The command format can be found in command BL section.

Host to Reader Flow of download Command CS		
Host		Reader
Send command to reader	====→	
	←=====	Response 2-byte checksum (High + Low)

**Command ES --- Erase system program area by filling with FFh**

When the reader receives this command, it starts to fill FFh into system program area.

NOTE: The command format can be found in command BL section.

Host to Reader Flow of download Command ES		
Host		Reader
Send command to reader	====→	
	←=====	ACK if LRC okay



### Command BC --- Blank check

This is used to verify if the erase command ES above works complete or not. If not, user shall send erase command ES and verify by command BC again prior to download f/w.

NOTE: The command format can be found in command BL section.

Host to Reader Flow of download Command BC		
Host		Reader
Send command to reader	====→	
	←=====	ACK if LRC okay * if any errors are occurred

### Command PRG --- Programming indicator

This is used to indicate how much amount data will be downloaded. This command shall be preceded prior to download firmware

Command: PRG		
Command Format: <Header><Address><Command Length><Command>[Data 1][Data 2]{LRC}		
Data Element	Size	Comments
<Header>	1H	Packet Command Header, value: 09h
<Address>	1H	Address, value: 00h (default)
<Command Length>	1H	Indicate the length of <command> and [data], value: 05h
<Command>	3H	Command code
[Data 1]	1H	Programming data amount, high-byte
[Data 2]	1H	Programming data amount, low-byte
{LRC}	1H	Error Check
Maximum: 9 characters Minimum: 9 characters		

Host to Reader Flow of download Command PRG		
Host		Reader
Send command to reader	====→	
	←=====	ACK if LRC okay





### Command 06 --- Start programming

The host shall send this command to reader to download system program just right after sending out programming indicator command PRG. The interval prior to send out this command shall not exceed one second; otherwise, the host shall resend the programming indicator command PRG.

When the reader receives this command, it will start download firmware from the very first location. The reader may receive this command several times continuously that depends on how much amount data will be downloaded. Similarly, the interval between each command 06 shall not exceed one second; otherwise, the host shall resend command ES, BC, PRG, and 06 in order.

Command: 06		
Command Format: <Command><Data size counter + 1><Data>{LRC}		
Data Element	Size	Comments
<Command>	1H	Command code, value: 06h
<Data size counter + 1>	1H	Indicate the data size
<Data>	0-255H	Programming data
{LRC}	1H	Error Check
Maximum: 258 characters Minimum: 3 characters		

Host to Reader Flow of download Command 06		
Host		Reader
Send command to reader	====→	
	←=====	ACK if LRC okay + no data; host shall resent it. ! if timeout (over one second)



## AppendixA: Download Application

This section illustrates instructions in download application installation and firmware download via this application on Windows 98.

### *System Requirements*

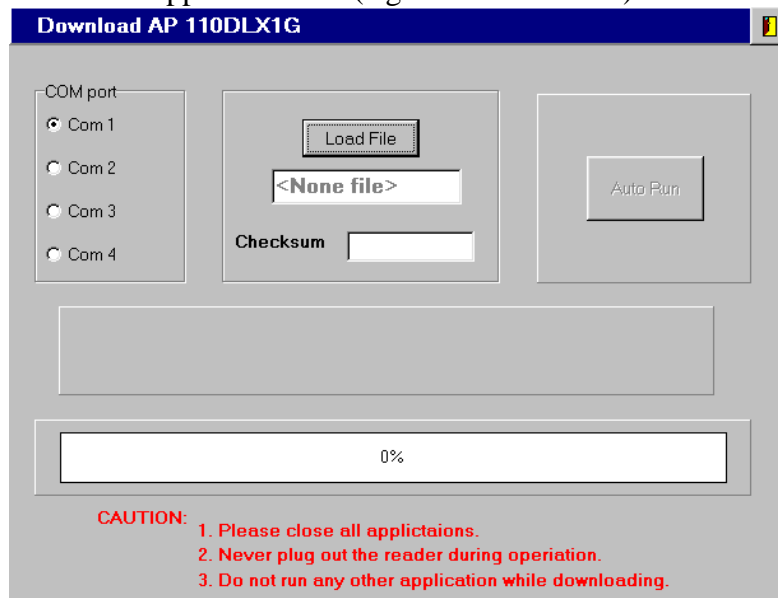
Before you use the ZADM120-RL, make sure your computer is an IBM PC-compatible with the following minimum system requirements:

1. Intel-compatible 486DX-66 MHz CPU or higher
2. RS232 port.
3. Either the following operating systems: Windows 95, Windows 98, Windows 2000, or NT4.0.

### *Application Installation and Firmware Download*

User shall follow the steps below in order to install application and do firmware download:

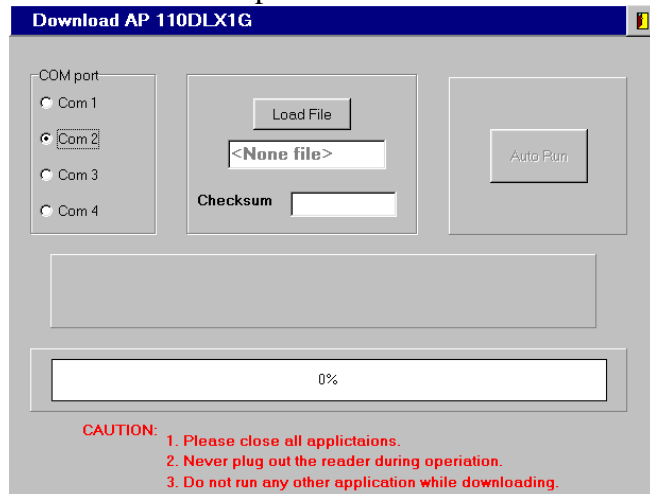
1. Connect ZADM120-RL to RS232 port, and power on it.
2. Execute application file (e.g. 110DLX1G.exe)



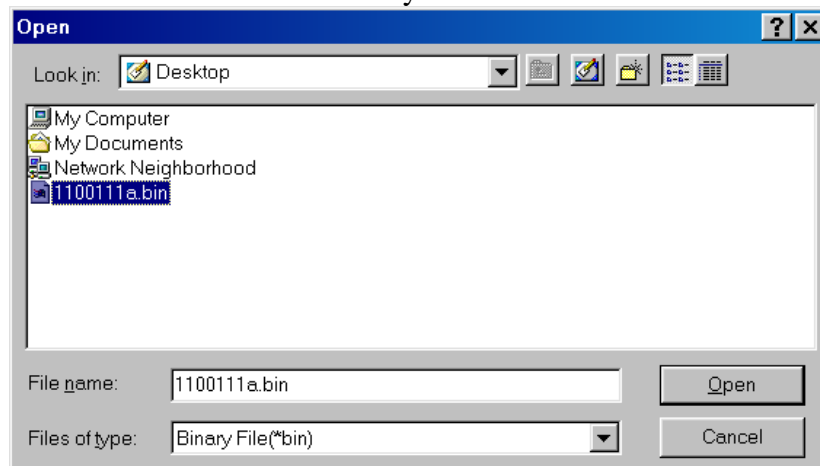


ZBA Inc.

### 3. Select the COM port



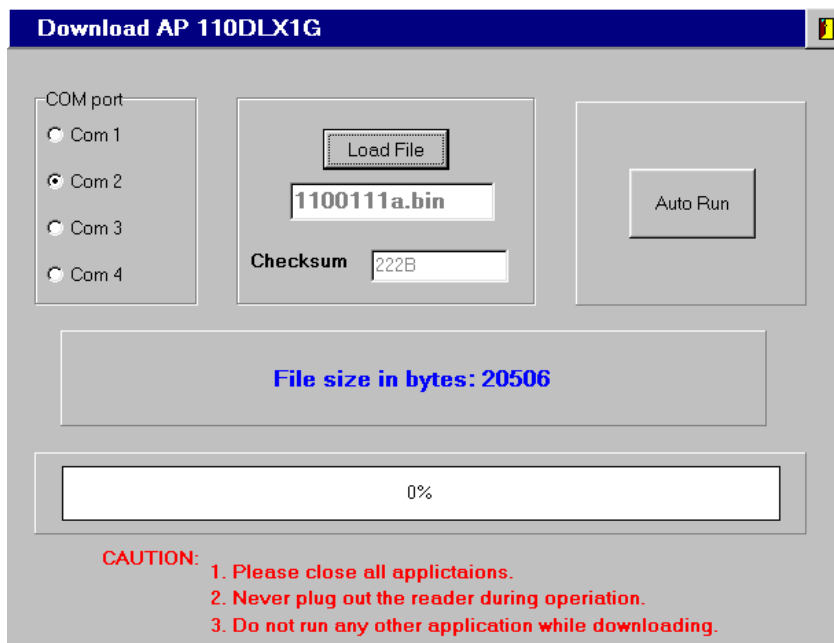
### 4. Select download firmware by click Load File button



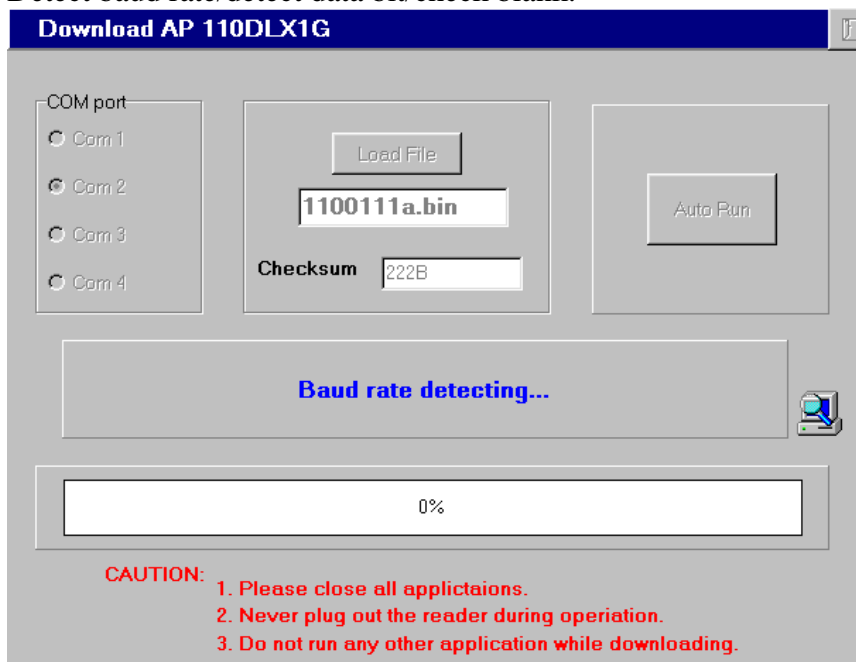
### 5. Press Auto Run button to do firmware download automatically.

ZBA, Inc.  
94 Old Camplain Road Hillsborough, NJ 08844  
Ph: 908-359-2070 Fax: 908-595-0909  
Web: <http://www.zbausa.com/>

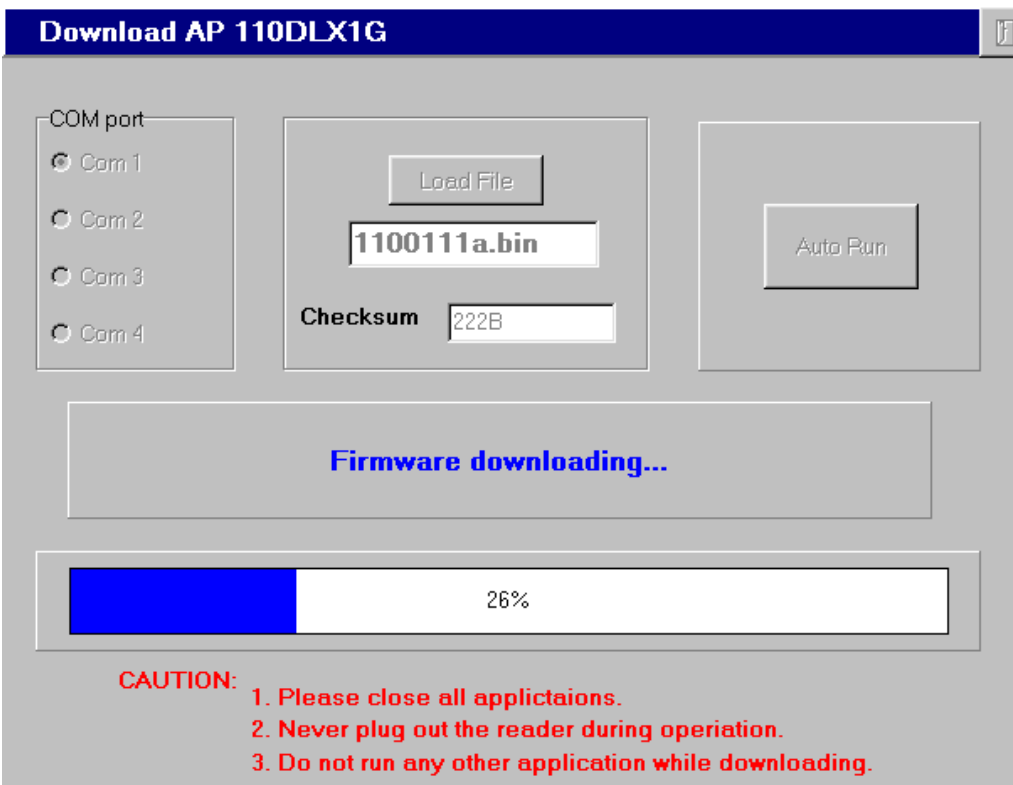
revision date: 12/22/09



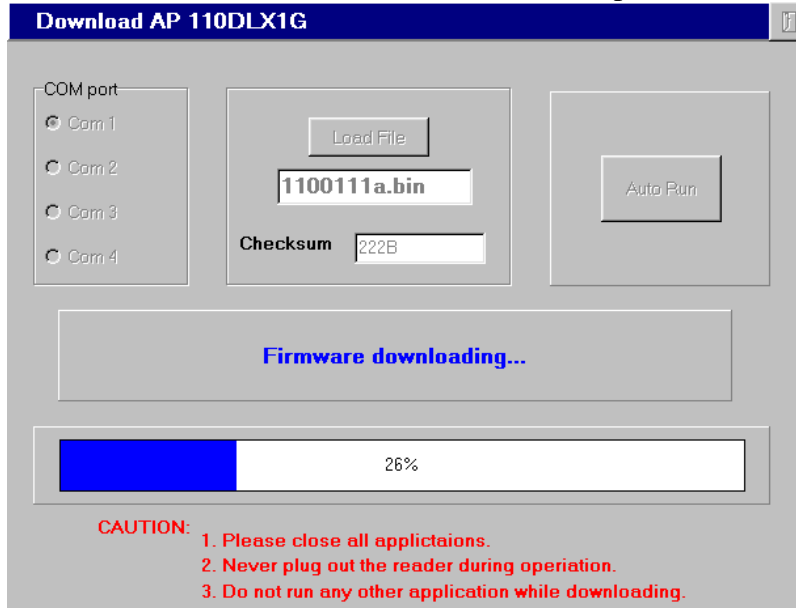
At this stage, the application will do actions sequentially as follows:  
(a) Detect baud rate/detect data bit/check blank.



(b) Start firmware download.

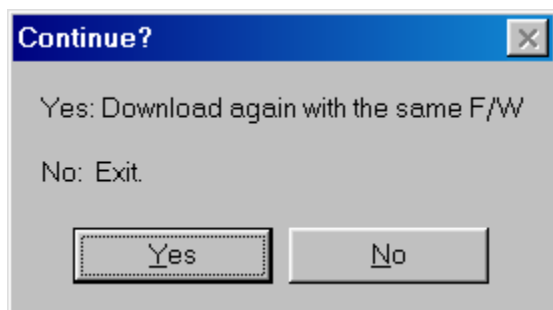


(c) After successful download done, the reader beeps once.





ZBA Inc.



After download done, user can close the application by click [No] button in “Continue?” dialog box, and return to normal operation.

If user wants to download the second unit with the same f/w, just connect the unit to RS232 port, power on it, and click [Yes] button in Continue? dialog box to continue/repeat the download process automatically.

If there is any error occurred during process, the error message prompts. User may do error check per prompts.